

Conversion Cables for PowerStations

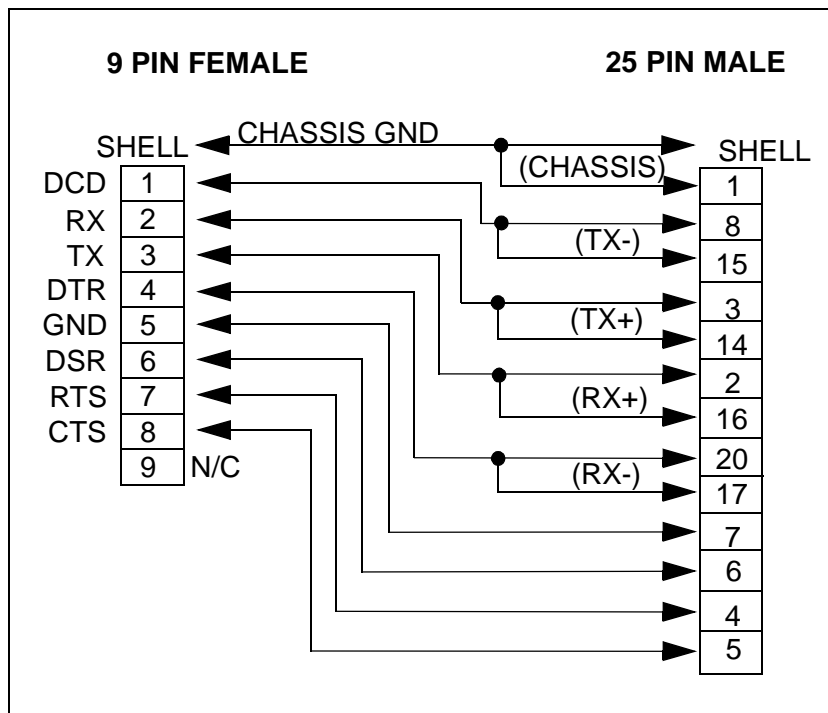
CBL-2001 and CBL-2003 provide you with the option of using your existing communications wiring with your new PowerStation. Configurations and connection information for both cables are discussed in this document.

Cable Configuration

CTC's conversion cables help you adapt your new PowerStation to use the existing communication wiring from your old PowerStation. They are described below.

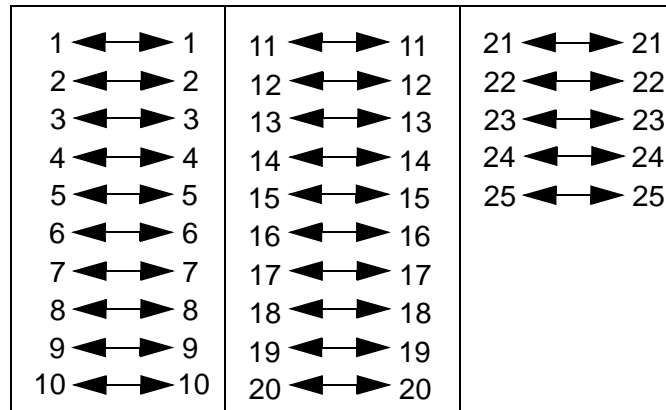
- Model CBL-2001 is a 9 pin to 25 pin converter for COM ports that can be used to connect your new PowerStation to your existing wiring. The cable can be used with RS-232, RS-422, or RS-485 communication protocols.

The schematic below shows the pin connections of CBL-2001.



CBL-2001

- Model CBL-2003 is a 25 pin to 25 pin extension that can be used to connect your PowerStation to your existing communication wiring. It can also be used as an extension for CBL-2001. The schematic below shows the pin connections in the CBL-2003; it is a pin-to-pin direct-connect cable.



CBL-2003

Cable Connection Procedure

The old P2 PowerStation's serial ports were located on the back of the unit. The new PowerStation's serial ports are on the left side of the unit (when viewing it from the front). Follow the instructions below to connect the cables to the PowerStation.

1. Turn off the PowerStation. If you are using the optional AC power supply, unplug the unit from the power source.
2. Connect the cable to the appropriate port, all of the ports are labeled on the PowerStation. Use COM1 for RS-232 signals. Use COM2 for RS-232, RS-422, or RS-485 signals.
Note COM2 is a 9-pin connector on a P2, but it is a 25-pin connector on a P3. Use the correct cable (CBL-2001 or CBL-2003) for your PowerStation.
3. Connect your existing communication cables to the appropriate cables attached to your PowerStation.
4. Restore power to the unit.